

Angle Sight flow indicator

with flanged connection acc. to *DIN*

NORIS

Bauform 920

Application:

The flow indicators are used for optical control of fluids and gases, for horizontal and vertical pipe lines.

Operating conditions:

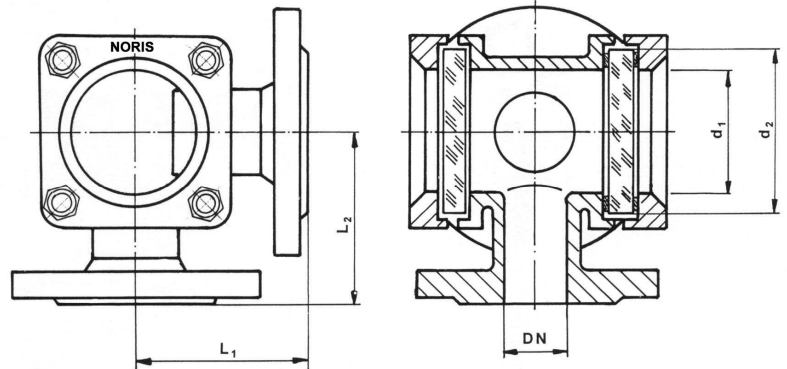
Working pressure: up to 40 bar
Working temperature: 150°C or 280°C

Installation:

Optional; Take care of flow direction

Options:

- with - ANSI flanges
- butt weld ends
- Extra length
- Different nom. sizes for connection
- Sight glass light - fitting
- Special sealing system acc. to DIN 28121
- Special design acc. to customer



Materials:

Body	Steel	Stainless steel
Covers	S235JRG2 GS-C 25	WN 1.4408
Screws	4.6 / 5.6 gal.	A4-70
Glass	Borosilicate glass DIN 7080 Soda lime glass DIN 8902	
Gaskets	Graphite, (or other materials)	

Certificate: (Option)

Acc. to EN 10204 - 2.2 or 3.1

Ordering example:

Angle Sight Flow Indicators Bauform 920
Steel, borosilicate glass DIN 7080
DN 50, PN 16



Dimensions:

DN	L ₁ = L ₂	d ₁	d ₂
15	90	48	63
20	95	48	63
25	100	65	80
32	105	80	100
40	115	80	100
50	125	100	125
65	145	100	125
80	155	100	125
100	175	125	150

DN 125 - DN 250 on request

Modification reserved

NORIS ARMATUREN Burkenstein GmbH & Co. KG

Puscherstrasse 3
D-90411 Nürnberg

Telefon: +49 (0) 911 / 52 150 63
Telefax: +49 (0) 911 / 52 24 40

Internet: Noris-Armaturen.de
E-Mail: Noris@Noris-Armaturen.de