

Sight flow indicator acc. to DIN 3236

Flange connection acc. to **DIN** - PN 16, PN 25

NORIS

Bauform 885

Application:

The flow indicators are used for optical control of fluids and gases, for horizontal and vertical pipe lines.

Operating conditions:

Working pressure: 16 or 25 bar
 Working temperature: 200°C.
 Special gasket for temperatures higher than 200°C on request

Installation:

Optional; Take care of flow direction

Options:

Other Materials
 Butt weld ends
 Light fittings
 Spinner or Flapper
 for higher temperature

Materials:

Cast Steel GS-C 25 (1.0619 / GP240GH)

Stainless Steel WN 1.4408

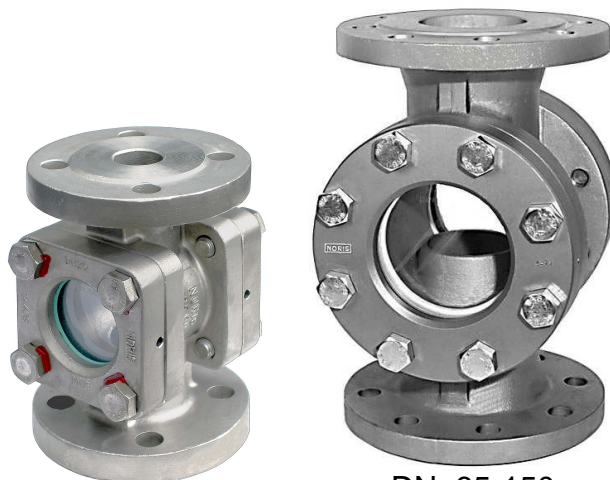
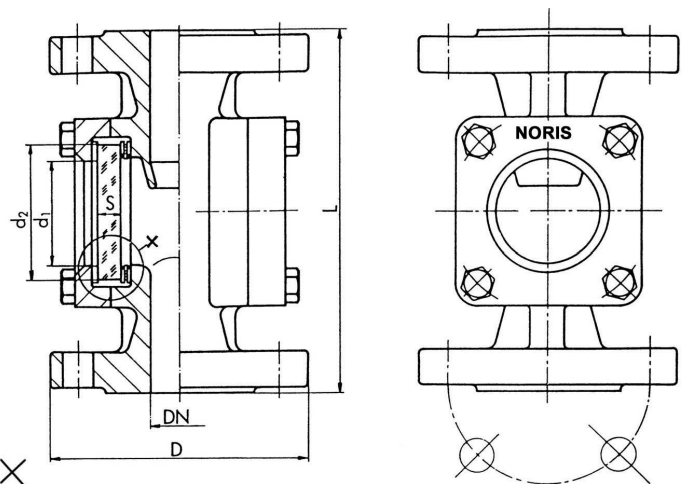
Body	GS-C 25	WN 1.4408
Covers	GS-C 25 / S235JRG2	1.4408 / 1.4571
Screws	5.6 gal.	A4-70
Glass	Borosilicate glass DIN 7080	
Gaskets	PTFE covered	
Cushion gasket	asbestos free	
Protection ply	asbestos free	

Ordering example:

Sight flow indicator Bauform 885
 sight glass flange socket acc. DIN 28121
 WN 1.4408;
 Borosilicate glass
 DN 50, PN 16

Safety Sight flow indicator in straight line

Glass plate are sealed acc. to **DIN 28121**
 with modern PTFE-covered
 permanently elastic sealing system



DN 15-50
(Cover quadratic)

DN 65-150
(Cover round)

Dimensions

DN	D	L	d ₁	d ₂	S	
					PN 16	PN 25
15	95	130	32	45	10	10
(20)	105	150	32	45	10	10
25	115	160	48	63	10	12
(32)	140	180	48	63	10	12
40	150	200	65	80	12	15
50	165	230	80	100	15	20
(65)	185	290	80	100	15	20
80	200	310	100	125	20	25
100	220/235	350	125	150	25	30
150	285/300	480	175	200	30	(35)

Modifications reserved

NORIS ARMATUREN Burkenstein GmbH & Co. KG

Puscherstrasse 3
 D-90411 Nürnberg

Telefon: +49 (0) 911 / 52 150 63
 Telefax: +49 (0) 911 / 52 24 40

Internet: Noris-Armaturen.de
 E-Mail: Noris@Noris-Armaturen.de