

# Sight flow indicator

with wiper system

# NORIS

Bauform 880-W

## Application:

NORIS wiper system is used to keep glass plates free of crystallized mediums, dust and dirt.

Wiper system on both sides is possible.

## Operating conditions:

Temperature: max. 180°C for silicone wiper blade

max. 200°C for PTFE-wiper-blade

Pressure: reduced due to central hole in the glass plate.

See Bauform 190

## Materials:

|                 |                              |
|-----------------|------------------------------|
| Cast Iron       | GG 25 ( EN-GJL-250 )         |
| Cast Steel      | GS-C 25 ( 1.0619 / GP240GH ) |
| Stainless Steel | WN 1.4408                    |
| Wiper           | Stainless steel              |

## Standard version:

Wiper system on one side

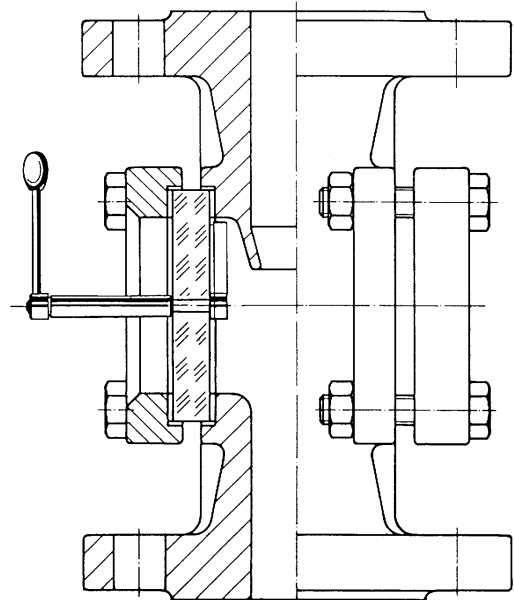
Wiper blade in silicone

## Option:

Two wiper systems

Wiper blade in PTFE

Sight glass light fitting



Modification reserved

# NORIS ARMATUREN Burkenstein GmbH & Co. KG

Puscherstrasse 3  
D-90411 Nürnberg

Telefon: +49 (0) 911 / 52 150 63  
Telefax: +49 (0) 911 / 52 24 40

Internet: [Noris-Armaturen.de](http://Noris-Armaturen.de)  
E-Mail: [Noris@Noris-Armaturen.de](mailto:Noris@Noris-Armaturen.de)