

Welded – Sight glass valves

with weld-neck flanges

NORIS

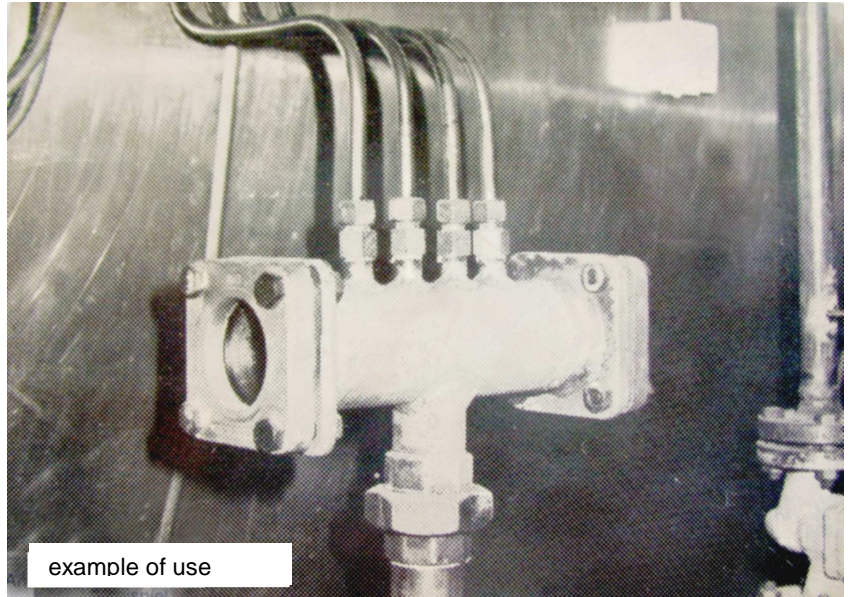
Bauform 230

Application:

These glasses are suitable for weld-in situations. For example in tanks, pipes and vessels. They are working with fluids also with gas. Especially for one-off designs.

Options:

all pipe diameter
all nominal pressure
all materials



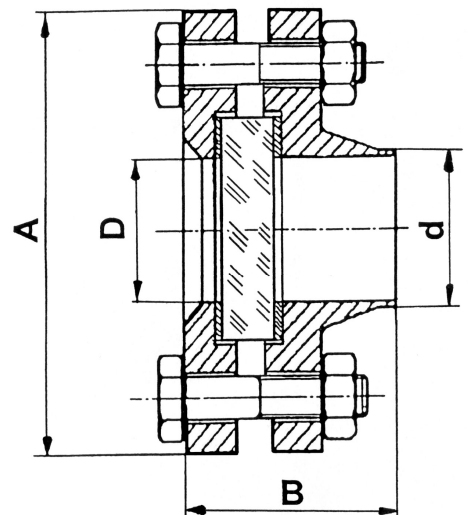
example of use

Materials:

Butt weld pipe ends	WN 1.4571/1.4541 or C-Steel
Cover	WN 1.4571/1.4541 or C-Steel
Glass	Borosilicate glass DIN 7080 Soda lime glass DIN 8902
Gaskets	non asbestos (or other materials)

Ordering example:

Sight flow fittings Bauform 230
WN 1.4571
Borosilicate glass DIN 7080-16 bar
DN 50



Dimension:

Visibility \varnothing D = Size DN	A	B	d
40	150	63	48,3
50	165	70	60,3
65	185	70	76,1
80	200	74	88,9
100	220	83	114,3
125	250	88	139,7
150	285	94	168,3
200	340	107	219,1

Modifications reserved

NORIS ARMATUREN Burkenstein GmbH & Co. KG

Puscherstrasse 3
D-90411 Nürnberg

Telefon: +49 (0) 911 / 52 150 63
Telefax: +49 (0) 911 / 52 24 40

Internet: Noris-Armaturen.de
E-Mail: Noris@Noris-Armaturen.de