

Strainer, Y - type

with flanged connection acc. to **ANSI - 300 lbs**

NORIS

Bauform 140-A

Application:

Preferably installed in front of measuring instruments, control valves, pumps and sensitive systems.

Operating conditions:

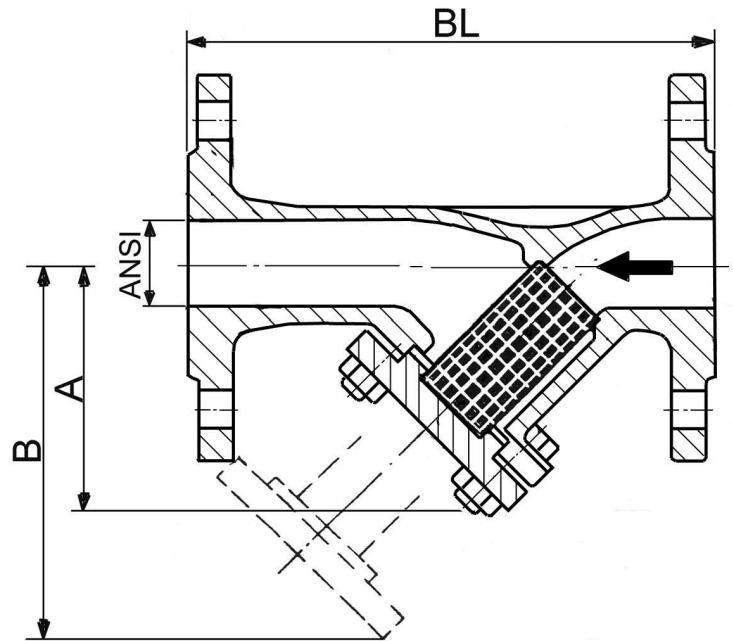
Flanges 300 lbs
 Nominal pressure 40 bar
 Nominal temp. max. 400°C

Options:

Double screen in WN 1.4571
 Flanged connection acc to DIN
 Drain plug
 Heating jacket

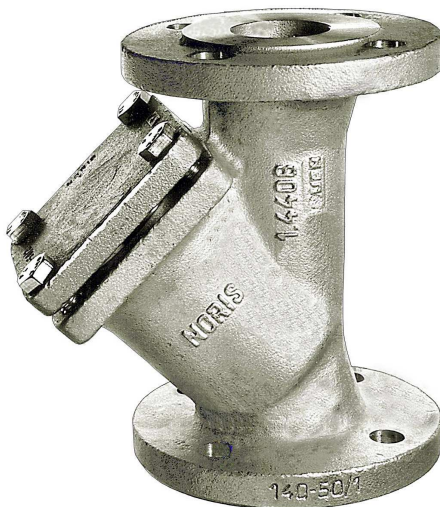
Materials:

Body	WN 1.4408	GS-C 25
Covers	WN 1.4408/1.4571	GS-C 25
Screws	A4 - 70	5.6 gal.
Screen	WN 1.4571 / 1.4401	
Gasket	Graphite (or other materials)	



Ordering example:

Strainer, Y-type Bauform 140-A
 Stainless steel
 ANSI 2", 300 lbs



Dimension:

ANSI	BL (mm)	A (mm)	B (mm)	Mesh- size (mm)
1/2"	130	75	115	0,6
3/4"	150	80	125	
1"	160	90	135	0,8
1 1/4"	180	90	135	
1 1/2"	△ 220	110	170	
2"	230	120	190	
2 1/2"		140	220	1,2
3"	△ 330	165	265	
4"	△ 380	220	340	
5"	400	260	350	1,5
6"	480	300	510	
8"	△ 620	360	580	
10"	730	495	720	

(△ Length not acc. to DIN)

Modification reserved

NORIS ARMATUREN Burkenstein GmbH & Co. KG

Puscherstrasse 3
 D-90411 Nürnberg

Telefon: +49 (0) 911 / 52 150 63
 Telefax: +49 (0) 911 / 52 24 40

Internet: Noris-Armaturen.de
 E-Mail: Noris@Noris-Armaturen.de