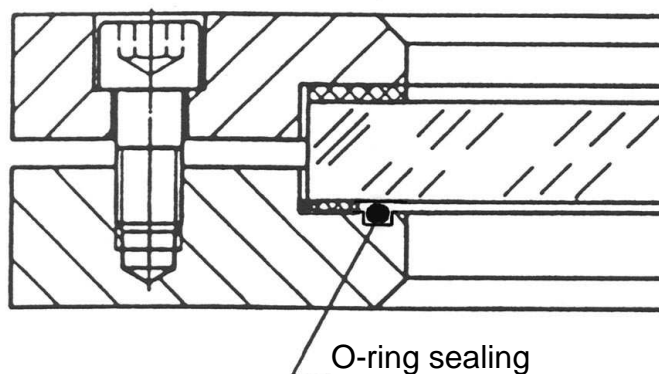


Upgrading for round sight fittings

NORIS

Various

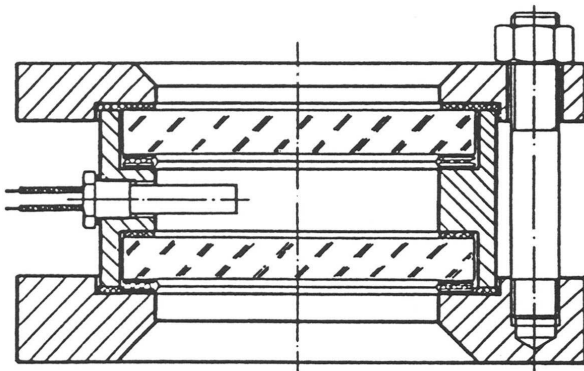
Vacuumsealing with O-ring



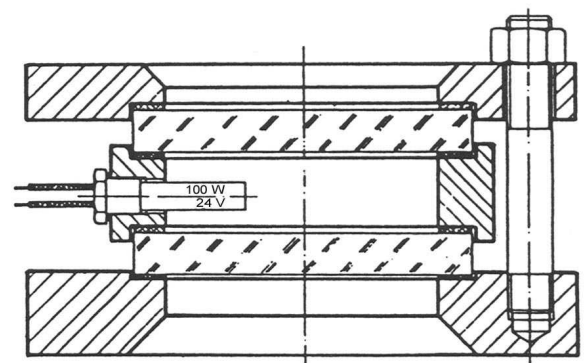
Bauform 120-V
(O-ring sealing)

O-ring-sealing is suitable for vacuum mode
o-ring sealing is also available for the round
sight glasses Bauform 120 and 121,
also for the flow indicators Bauform 880-887

Double-vitrification with heating system for anti steamy



Bauform 120-D-HZ
(Safe- double-vitrification)



Bauform 126-D-HZ
(Simple - double-vitrification)

The integrated heating coil avoids the condensation of humidity at the outer glass plate.

You can also avoid heat loss.

The dimensions of the flanges correspond to DIN 28120 (Bauform 120).

Available all pipe diameter, nominal pressure and all materials.

Modifications reserved

NORIS ARMATUREN Burkenstein GmbH & Co. KG

Puscherstrasse 3
D-90411 Nürnberg

Telefon: +49 (0) 911 / 52 150 63
Telefax: +49 (0) 911 / 52 24 40

Internet: Noris-Armaturen.de
E-Mail: Noris@Noris-Armaturen.de