

Sight Flow Indicators (straight line) with *flanges connection* acc. *DIN PN 16*

Design for horizontal installation

NORIS

Bauform 111

Application:

Sight Flow Indicators are used for optical control and the observation of filling and current in pipelines. Without restfluid in the body in horizontal installation.

Operating conditions:

Working pressure : 16 bar
Working temperature: 150°C or 280°C

Installation:

Horizontal

Options:

Light-fitting
ANSI-flanges
butt weld ends

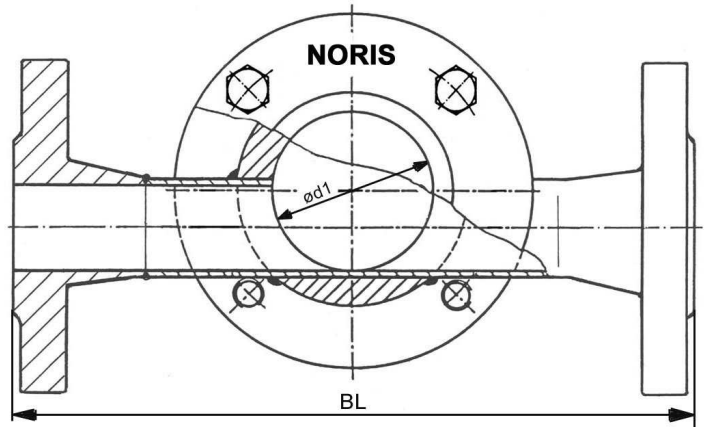
Materials:

Body	1.4404 / 1.4571
Covers	Stainless steel
Screws	A4 - 70
Glass	Borosilicate glass acc. to DIN 7080 Soda lime glass acc. to DIN 8902
Gasket	Graphite; (or other materials)

Ordering example:

Sight flow indicators Bauform 111
Body: Stainless steel
Cover: Stainless steel
Glass: Borosilicate glass 16 bar,
DN 50 PN 16

*Without rest fluid
in the body!*



Dimensions:

DN	BL	$\varnothing d_1$	Glass $\varnothing d \times S$	Screws
15	130	32	45 x 10	M 8
20	150	45	63 x 10	M 8
25	160	45	63 x 10	M 10
32	180	60	80 x 12	M 10
40	200	60	80 x 12	M 10
50	230	80	100 x 15	M 12
65	290	80	100 x 15	M 12
80	310	100	125 x 15	M 12

Further sizes on Bauform 112

Modification reserved

NORIS ARMATUREN Burkenstein GmbH & Co. KG

Puscherstrasse 3
D-90411 Nürnberg

Telefon: +49 (0) 911 / 52 150 63
Telefax: +49 (0) 911 / 52 24 40

Internet: Noris-Armaturen.de
E-Mail: Noris@Noris-Armaturen.de