

Sight Flow Indicators (straight line)

with **butt weld ends (S)** for **horizontal** installation

NORIS

Bauform 111-S

Application:

Sight Flow Indicators are used for optical control and the observation of filling and current in pipelines. Without rest fluid in the body in horizontal installation.

Operating conditions:

Working pressure : 16 bar
Working temperature: 150°C or 280°C

Installation:

Optional. Take care of flow direction

Options:

Flanges
Light-fitting

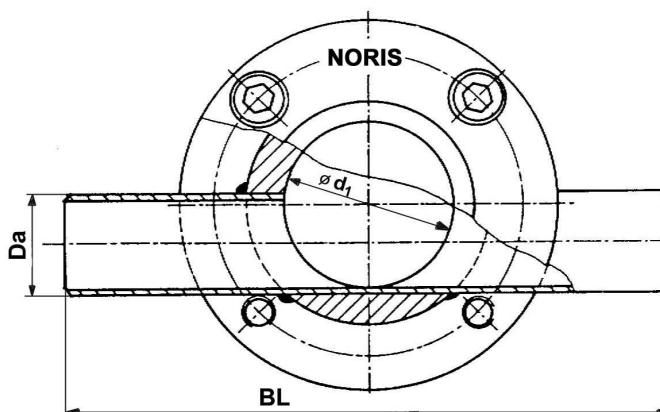
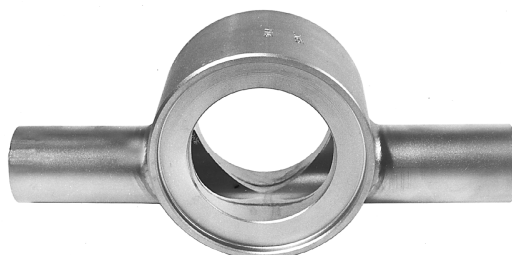
Materials:

Body	WNR 1.4404	
Covers	Steel galvanized	Bauform 111-S-VS
	Stainless steel	Bauform 111-S-VV
Screws	DIN 912, 8.8 or A4-70	
Glass	Borosilicate glass acc. to DIN 7080	
	Soda lime glass acc. to DIN 8902	
Gasket	Graphite (or other materials)	

Ordering example:

Sight flow indicators Bauform 111-S-VS
Body: Stainless steel
Cover: Steel
Borosilicate glass 16 bar,
DN 50 / Ø 60,3

Without rest fluid
in the body



Dimensions:

DN / Da	BL	ø d ₁	Glass Ød x S	Screws
10 / 17,2	184	32	45 x 10	M 8
15 / 21,3	184	32	45 x 10	M 8
20 / 26,9	184	45	63 x 10	M 10
25 / 33,7	184	45	63 x 10	M 12
32 / 42,4	206	60	80 x 12	M 12
40 / 48,3	206	60	80 x 12	M 12
50 / 60,3	224	80	100 x 15	M 12
65 / 76,1	254	80	100 x 15	M 12
80 / 88,9	266	100	125 x 20	M 12

Further sizes on Bauform 112-S

Modification reserved

NORIS ARMATUREN Burkenstein GmbH & Co. KG

Puscherstrasse 3
D-90411 Nürnberg

Telefon: +49 (0) 911 / 52 150 63
Telefax: +49 (0) 911 / 52 24 40

Internet: Noris-Armaturen.de
E-Mail: Noris@Noris-Armaturen.de